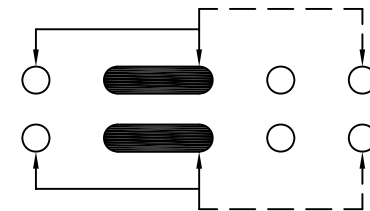
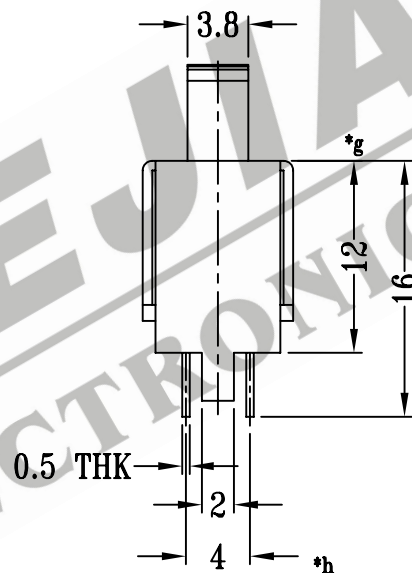
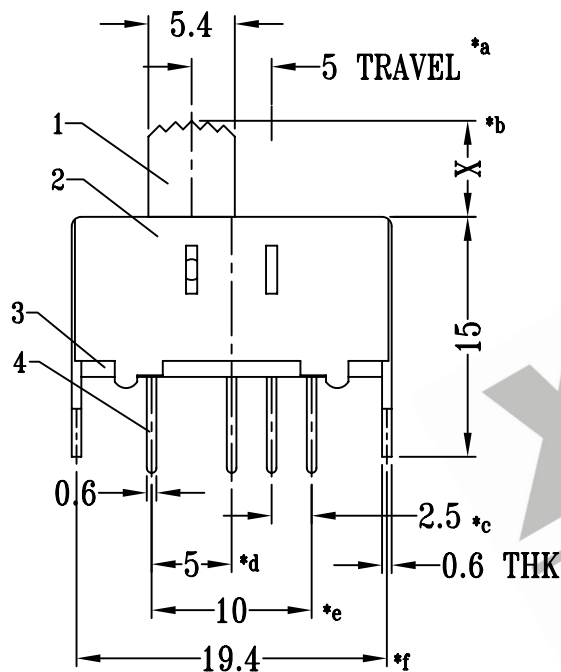
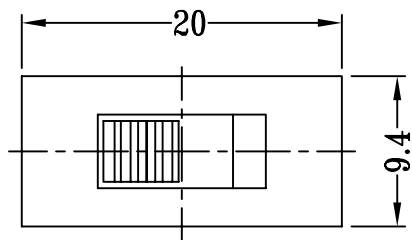
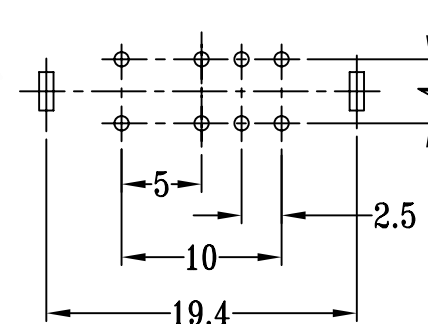


CAD FILE:



SCHEMATIC (NOT-SPECIFIED)



P.C.B LAYOUT

注:带"*"表示关键尺寸(8个)

8					TOLERANCE	SHENZHEN XIEJIA ELECTRONICS CO.,LTD.				
7	STEEL BALL	STEEL	2	NATURAL	UNLESS SPECIFIED					
6	SPRING	STEEL WIRE	1	TEMPER	WITHIN: 1.5±0.1mm	ISSUE	DATE	DESCRIPTIONS OF REVISION		APPD.
5	CONTACT (CLIP)	PBS STRIP	2	Ag PLATED	OVER : 1.5±0.2mm					
4	TERMINAL	BRASS STRIP	8	Ag PLATED OVER Ni PLATED	TITLE : VERTICAL SLIDE SWITCH		UNIT : mm	DRWG NO.: XJ-DR-SS22J12-00		
3	TERMINAL BASE	PHENOLIC RESIN	1	NATURAL	MODEL: SS-22J12		SCALE: 2:1	DWN.	ZHOUYU	2004-10-19
2	FRAME	STEEL STRIP	1	Ni PLATED	ALL MATERIALS MUST BE COMPLIANT TO ROHS		APPD.	CHK'D	FANGYING	2004-10-19
1	KNOB	POM	1	BLACK				KANGXINAN	2004-10-19	
NO.	PARTS	MATERIALS	Q'TY	FINISH						